

OZZ XR2 P9”

88101 (black)
88102 (white)

Before installation

1. Check the local laws and regulations and the region your vehicle may travel to for Auxiliary light before installation, ensure they are compliance.
2. Read all installation instructions.
3. Make sure the dimension and weight of the lamps and device are matched to your vehicle.
4. Slight moisture inside may occur, it will be removed out from the vent after 2-4 time working.
5. Working Voltage: 10-35V.

Mounting

1. Determine the installation location, use a 11 mm drill 1 or 3 holes, lock nut tightening.
2. Use the stay bar if it is needed for stabilization, see figure 02.

Wiring connections & Functions

1. Wiring connections

Black: Ground,-
Red: Driving light for Off road
Blue: Driving Light on road (E-mark)
White: White position light
Yellow: Amber position light

2. Wiring Harness, 40A relay, 30A fuse.

Please note: The warranty is void if the product is mounted upside down.

Figure 01

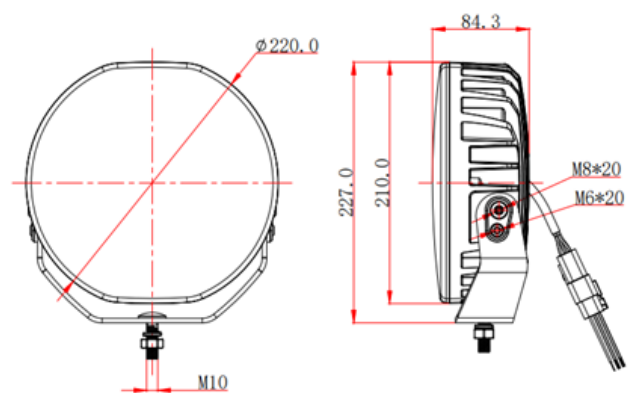


Figure 02

