



### Preliminary Steps:

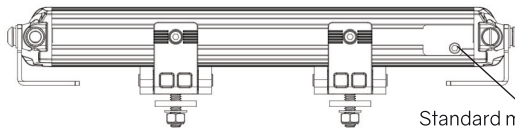
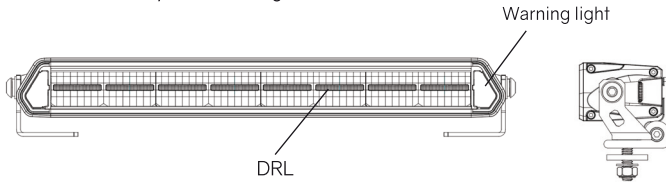
1. Read all instructions carefully before installing the LED bar
2. Check with state and local authorities for laws governing usage and proper mounting of auxiliary lights
3. Disconnect ground connection from battery (marked "-") to avoid accidental short circuits before attempting to connect electrical wires
4. Route new wires along existing wiring, tape if necessary to correct slack
5. When running wires through the firewall, keep them away from moving parts

### Wiring - Driving light & DRL:

- Black: Ground "-"
- Red: Driving light "+"
- White: DRL, red color "+"
- Yellow: DRL, yellow-orange color "+"

### Wiring - Warning light:

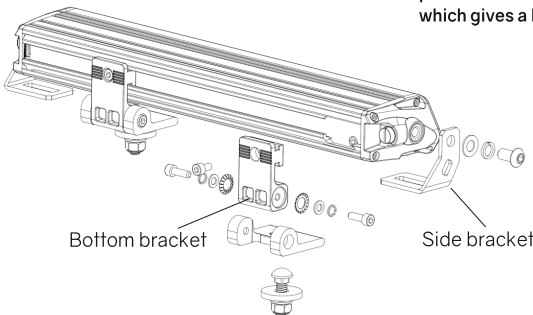
- Green: Warning light "+"
- Blue: Signal line "+"



Standard mode: Remove the screw\*

Eco mode: Tighten the screw\*

**\*NOTE: screw sold separately. The bar is in standard mode at purchase and screw is only needed if you desire the Eco mode which gives a lower lighting strength (89 m at 1 lux)**



## Strobe light function

### Strobe pattern change and synchronization:

Change of pattern: After the signal line (blue cable) is connected, it will automatically switch strobe patterns

Synchronization: Connect the blue cable of (max) two Epix14+ Work bars, then connect to the positive pole (+) for 3 seconds to reset the pattern, then the pattern of the bars can be changed

### Strobe patterns:

1. Single flash synchronization: 2.2HZ
2. Single flash asynchronous: 2.2HZ (*when using two LED bars*)
3. Triple flash synchronization: 1.1HZ
4. Triple flash asynchronous: 1.1HZ (*when using two LED bars*)
5. Quadruple flash synchronization: 1.25HZ
6. Quadruple flash asynchronous: 1.25HZ (*when using two LED bars*)
7. Combination of one long and five short synchronization: 0.83HZ
8. Combination of one long and five short asynchronous: 0.83HZ (*when using two LED bars*)
9. Burst flash synchronization: 10HZ
10. Burst flash asynchronous: 10HZ (*when using two LED bars*)

---

### Warning:

1. Works under the specified voltage (DC9-36V)
2. This LED-bar becomes hot under continuous use - do not remove or touch the casing for at least 30 minutes after turning the light off
3. Keep heat-sink clean and exposed to maintain air flow